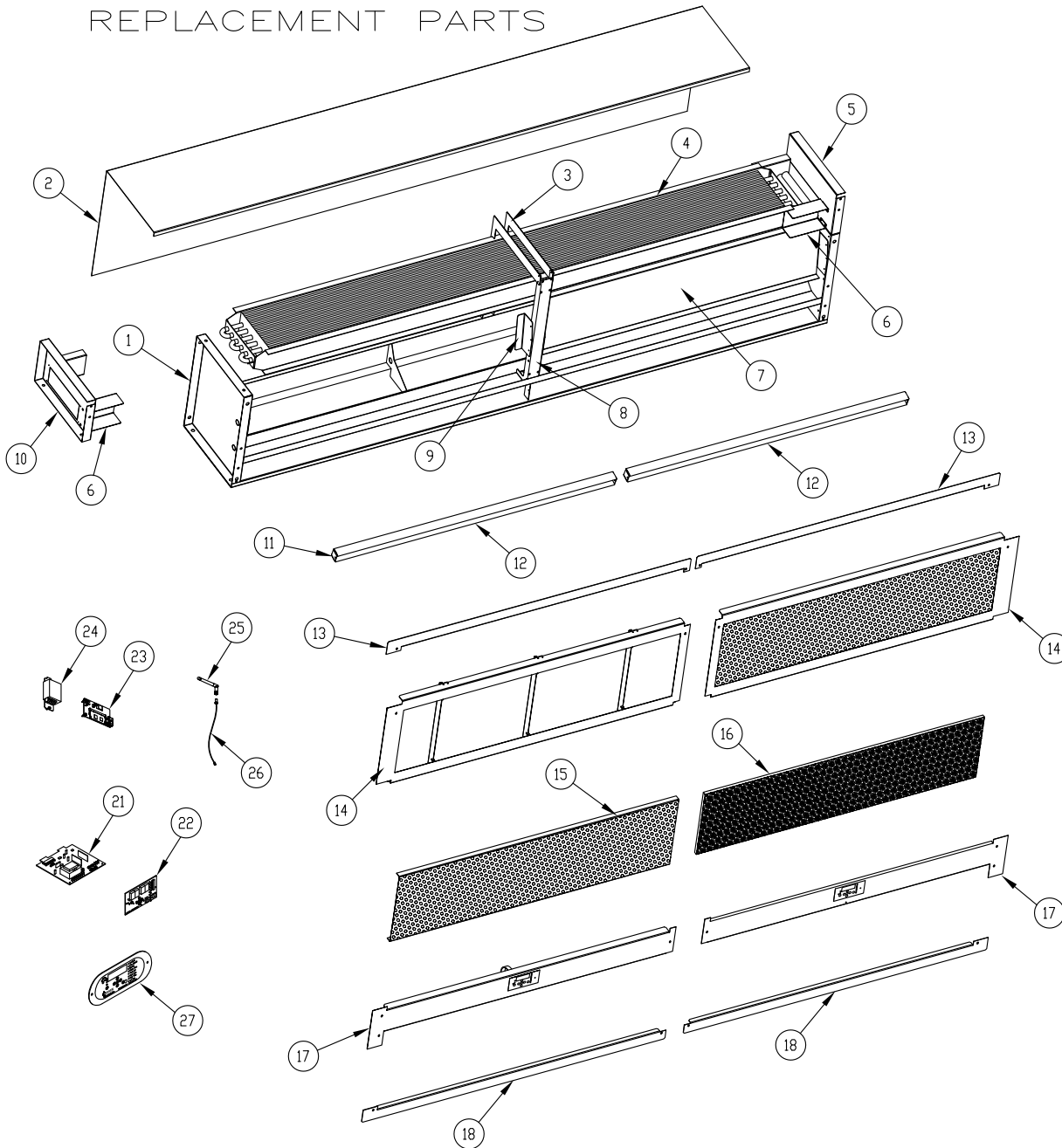


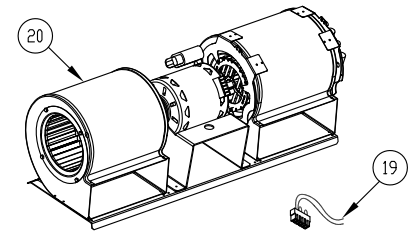
# ARD12

## ARCHITECTURAL RECESSED REPLACEMENT PARTS



ITEM	DESCRIPTION	PART #
1	MAIN CHAN-WELD	43ICA***MC
2	TOP COVER	40ICA***TC
3	TOP COVER CENTRAL SUPPORT	40ICA000TC-S
4	COIL-STM 09 X *** D5/8 1R/8F (specify unit size)	10S***09F108S
5	END PLATE-RH	40ICA000EP-R
6	COIL BOTTOM MOUNT	40ICA000CB-B
7	COIL BAFFLE	40ICA***CB
8	BOTTOM ACCESS COVER SUPPORT	40ICA000BAC-S
9	COIL BAFFLE-MOUNT	40ICA000CB-M
10	END PLATE-LH	40ICA000EP-L
11	NOZZLE VANE CLIP 1-1/2	40GEN-NVC-1012
12	NOZZLE VANE (specify vane length - inches)	06ALM516ARF-121
13	BOTTOM CVR, FRONT, WHT ALM, (36" thru 72" unit - 1 PC)	40ICA***BC-F-WA
13	BOTTOM CVR, FRONT, WHT ALM, (84" thru 144" unit- 2 PC)	40ICA***BC-F-WA
14	INLET SCREEN ASM, WHT ALM, (36" thru 72" unit - 1 PC)	08ICA***ISA-WH
14	INLET SCREEN ASM, WHT ALM, (84" thru 144" unit 2 PC)	08ICA***ISA-WH
15	INLET SCREEN ONLY, WHT ALM	08ICA***IS-WP
16	FILTER-RECLEAN POLYFLO (12 X 48 X 1/2 BULK)	80PLE1F2FLO-12BK
17	BOTTOM CVR, NOZ SUR, WHT ALM, (36" thru 72" unit - 1 PC)	40ICA***BC-N-WA
17	BOTTOM CVR, NOZ SUR, WHT ALM, (84" thru 144" unit- 2 PC)	40ICA***BC-N-WA
18	BOTTOM CVR, BACK, WHT ALM, (36" thru 72" unit - 1 PC)	40ICA***BC-B-WA
18	BOTTOM CVR, BACK, WHT ALM, (84" thru 144" unit- 2 PC)	40ICA***BC-B-WA
19	WIRE HARNESS-LWA 120V	505WH115LWA
19	WIRE HARNESS-LWA 208/240V	505WH230LWA
19	WIRE HARNESS-MOTOR 6 LEAD MULTI-COLOR 480/600V	505WH0006MC
20	VSA30-BLOWER ASSEMBLY AMB (120/208/240V) INTELL	44VSA030AC-INT
20	VSA30-BLOWER ASSEMBLY UNHEATED (480V, 1PH)	44VSA030AZ
20	VSA30-BLOWER ASSEM UNHEATED (600V, 1PH)	44VSA030AQ
21	GREEN CONTRL BRD 16 AMP * MOTOR 3RD-ED	33G016S-CB*-INT-3
22	GREEN DISPLAY BRD 2nd-ED	33G000S-DB-INT-2
23	INTELLISWITCH GEN3 WIFI SERIES "A" BOARD	33G000S-WCA-INT-3
24	INTELLISWITCH WIFI SERIES "A" POWER SUPPLY	9020DC005V015W-C
25	INTELLISWITCH WIFI ANTENNA 2.4G	9022ADW024G2DB-F109
26	INTELLISWITCH WIFI ANTENNA CABLE - 72"	505AC006WF-INT-3
27	INTELLISWITCH REMOTE DISPLAY MOUNT	55ZPRINT-R-3
-	INTELLISWITCH REMOTE DISPLAY CABLE - 20ft (not pictured)	505RC020INT-B
-	INTELLISWITCH HANDHELD IR REMOTE (not pictured)	33G000RC-2
-	INTELLISWITCH T-STAT PROBE - 72" STANDARD (NOT SHOWN)	9502G072-A
-	INTELLISWITCH T-STAT PROBE - 144" (NOT SHOWN)	9502G072-A

\*\*\* SPECIFY LENGTH (IN INCHES)  
 \*\* SPECIFY WHITE ALUM (WA) OR STAINLESS STEEL (SS)  
 \* SPECIFY QTY OF MOTORS



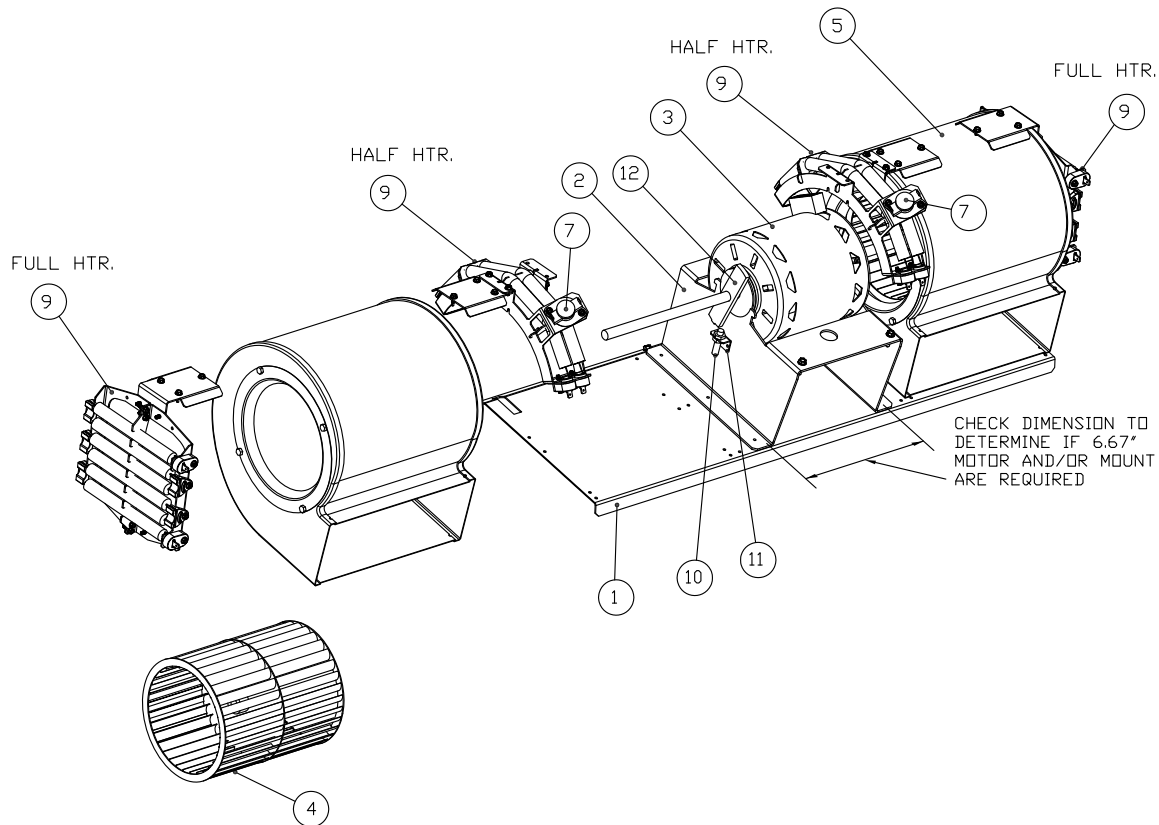
NOTE: REFER TO DRAWING 2 OF 2 FOR BLOWER ASSM. PARTS AND HEATER KW.

SHEET 1 OF 2

PROJECT		TITLE: <b>BERNER</b>
LOCATION		MODEL: IN-CEILING MOUNT UNIT
ARCHITECT		ARD12 REPLACEMENT PARTS
ENGINEER		BERNER INTERNATIONAL CORP. NEW CASTLE, PA.
DWG. NO.	ARD12-RP	REV.   -
DATE	09JUN2017	
BY	D.Johnson	
REPLACES	07JAN2015	
BY	S.Beil	

# ARD12

## ARCHITECTURAL RECESSED BLOWER ASSEMBLY REPLACEMENT PARTS



ITEM	DESCRIPTION	PART #
1	BLOWER MOUNTING PLATE	40VS-030BMP
2	MOTOR MOUNT 1/2 HP, 1 PH- 6.67" WIDE	40VSA012MMC-1F2-A
3	MTR - 1/2 HP, (120/208-240V -6.67" WIDE I-DUTY)	011F2048F1X18C-INT
3	MTR - 1/2 HP, (480V, 1 PH - 6.67" WIDE)	011F2048F4X18Z-A
3	MTR - 1/2 HP, (600V, 1 PH - 6.67" WIDE)	011F2048F4X18Q-A
4	BLOWER WHEEL ONLY	0204063112L
5	BLOWER WHEEL & HOUSING ASSM	29B631S012G-L
6	WIRE HARNESS-LWA 120V	505WH115LWA
6	WIRE HARNESS-LWA 208/240V	505WH230LWA
6	WIRE HARNESS-MOTOR 6 LEAD MULTI-COLOR 480/600V	505WH0006MC
7	THERMAL CUTOUT (PROVIDED WITH NEW HEATER)- AVAILABLE AS REPL. PART	36A145-105-90
8	MOTOR CLIP-TWO PER MOTOR (NOT SHOWN)	32LWA000CLP
9	VENTURI HEATER SET (7KW 208V) - new (-F) = FULL HEATER, (-H) = HALF HEATER †	11VTH047D-F 11VTH023D-H
9	VENTURI HEATER SET (7KW 240V) - new (-F) = FULL HEATER, (-H) = HALF HEATER †	11VTH047E-F 11VTH023E-H
9	VENTURI HEATER SET (7KW 480V) - new (-F) = FULL HEATER, (-H) = HALF HEATER †	11VTH047H-F 11VTH023H-H
9	VENTURI HEATER SET (7KW 600V) - new (-F2) = FULL HEATER, (-H2) = HALF HEATER †	11VTH047I-F2 11VTH023I-H2
9	VENTURI HEATER SET (5KW 600V) - new (-F2) = FULL HEATER, (-H2) = HALF HEATER †	11VTH033I-F2 11VTH017I-H2
9	VENTURI HEATER SET (4KW 600V) - new (-F2) = FULL HEATER, (-H2) = HALF HEATER †	11VTH027I-F2 11VTH013I-H2
9	VENTURI HEATER SET (3KW 600V) - new (-F2) = FULL HEATER, (-H2) = HALF HEATER †	11VTH020I-F2 11VTH010I-H2
10	PROX SENSOR	9506ND008-NPN-TA
11	GREEN SPEED SENSOR MOUNT BRKT.	40ICA000GSS-MB
12	ZPR-GREEN BOARD SPD SENSOR TRIGGER	40ZPR000GSS-T

† BOTH HEATERS ARE REQUIRED FOR FULL KW

SHEET 2 OF 2

PROJECT		
LOCATION		
ARCHITECT		
ENGINEER		REV.   -
DWG. NO.	ARD12-RP	TITLE: <b>BERNER</b>
DATE	31MAR2017	MODEL: IN-CEILING MOUNT UNIT
BY	S. Beil	ARD12 REPLACEMENT PARTS
REPLACES	-	BERNER INTERNATIONAL CORP. NEW CASTLE, PA.
BY	-	