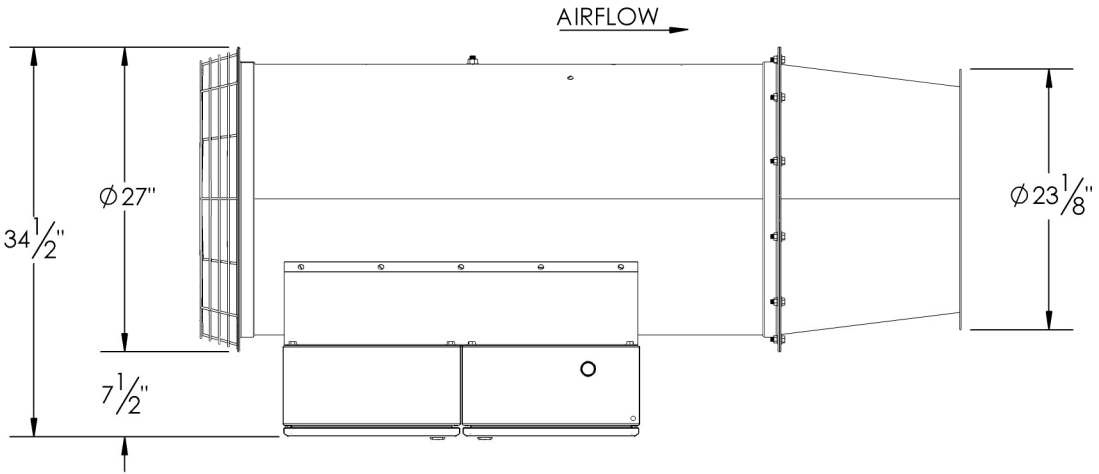


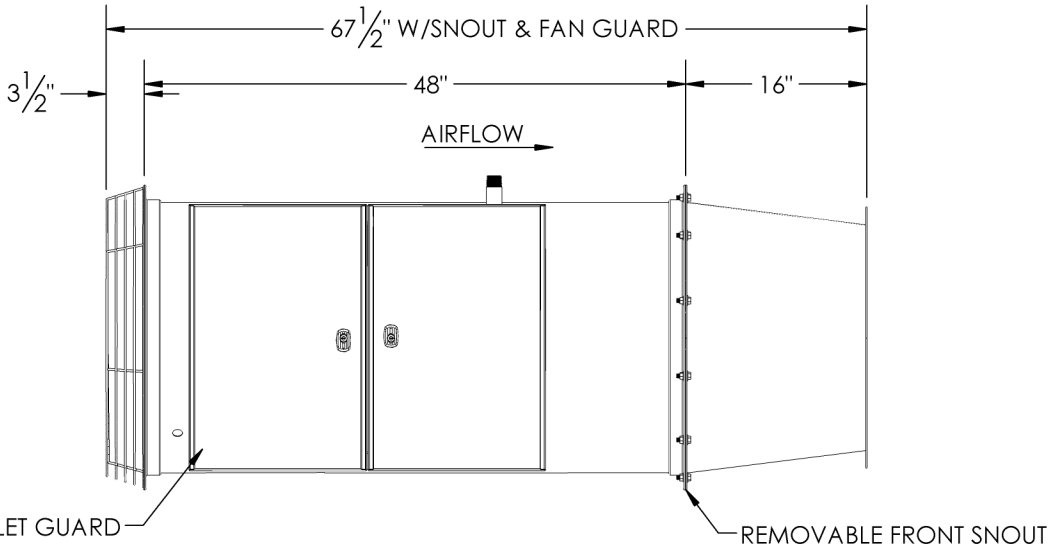
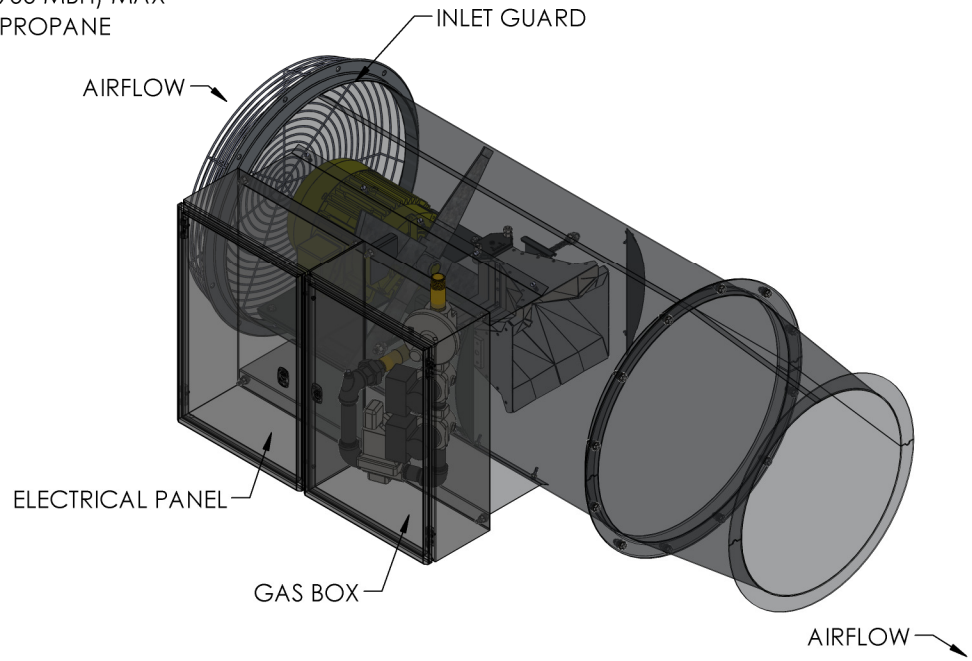
DH-90 DOOR HEATER

JOB # _____

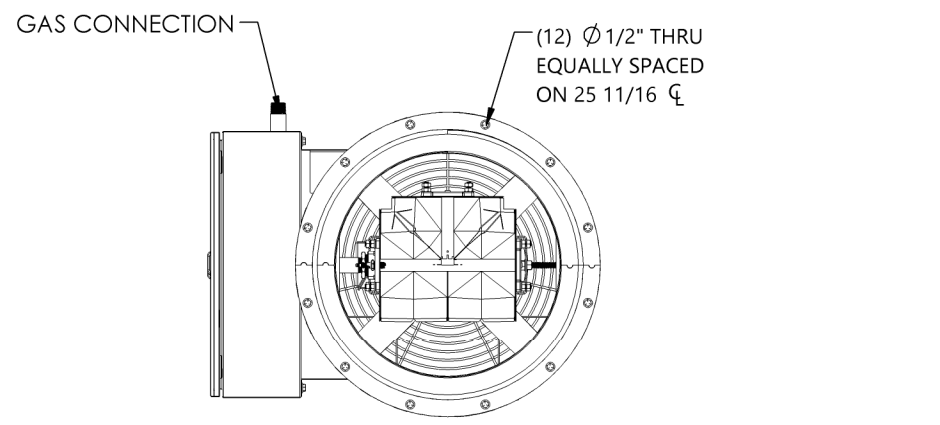
AIR FLOW CAPACITY: 6,000 CFM
 HEATING CAPACITY: 900,000 BTU/HR (900 MBH) MAX
 FUEL TYPE: NATURAL OR LP/PROPANE
 GAS INLET PIPE: 1" IPS



PLAN VIEW



ELEVATION VIEW



FRONT VIEW

SHEET 1 OF 1

NOTES:	Absolute Fire, Inc. 5496 North Riverview Dr., Kalamazoo MI 49004			
	DESC. DH-90 SALES DRAWING			
	DIM. SCALE: 1:17	DRAWN BY: BAD	DATE: 8/28/2018	FILE NAME: 20050320-90-SALES
FILE LOCATION: T:\APD-CH-DH\DH\				